

# EL<sup>®</sup>MARK

The Brand of Electricity

## LED GARDEN

### GRF 206



# TECHNICAL SPECIFICATION

GARDEN

**ELMARK**<sup>®</sup>

The Brand of Electricity

---

## Technical data:

---

- Rated voltage: 220-240V/ 50-60Hz
- Power: 10W
- Colour temperature: 4000K; 3000K
- LED source: EPISTAR 45pcs 2835 SMD
- Colour: Graphite black
- Material: Plastic + Aluminium
- Colour rendering index: Ra > 80
- Average lifetime: 30 000h
- Switch on/off: 20 000
- Protection against dust and moisture: IP54

---

## Features:

---

- Low power consumption
- Repeated switch on/off does not affect the lifespan
- Instant light with maximum luminous flux
- Environmentally friendly - no mercury and lead
- No ultraviolet and infrared rays
- Resistant to shock and vibration-free body
- Low heat emission

---

## Area of application:

---

- Suitable for outdoor use
- Gardens
- Parks

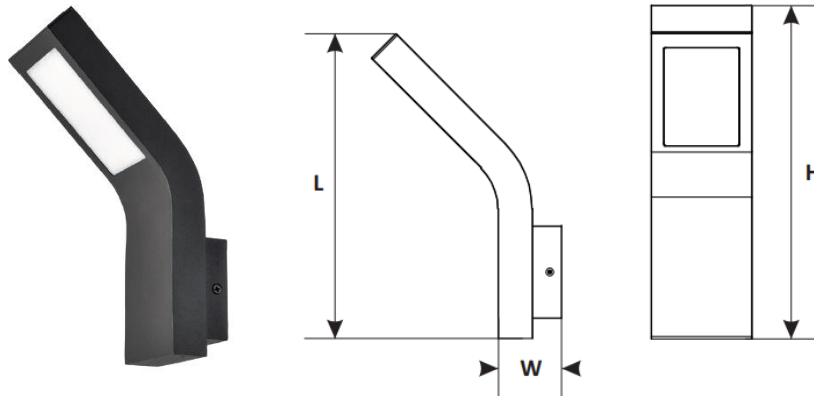
# TECHNICAL SPECIFICATION

**ELMARK**<sup>®</sup>

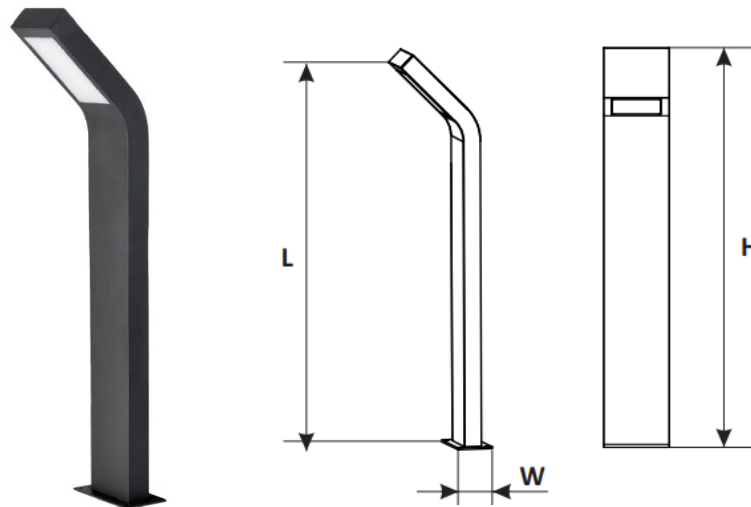
The Brand of Electricity

GARDEN

## Variants and Dimensions:



Catalogue number	Power (W)	Whole fixture lumens (lm)	Colour temp. (K)	Colour body	Size (mm)			Packing/ Box (pcs)
					Length	Width	Height	
96LEDW206	10	800	4000	Graphite black	164	80	263	1/16
96LEDW206WW	10	800	3000	Graphite black	164	80	263	1/16



Catalogue number	Power (W)	Whole fixture lumens (lm)	Colour temp. (K)	Colour body	Size (mm)			Packing/ Box (pcs)
					Length	Width	Height	
96LEDP20678	10	800	4000	Graphite black	154	110	780	1/6
96LEDP20678WW	10	800	3000	Graphite black	154	110	780	1/6

# TECHNICAL SPECIFICATION

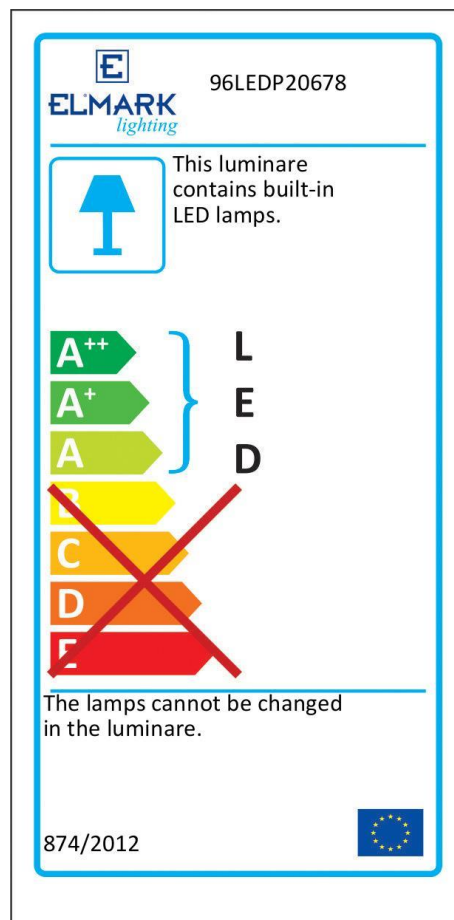
GARDEN

# ELMARK<sup>®</sup>

The Brand of Electricity

## Barcodes:

3800131208149	96LEDW206
3800131218162	96LEDW206WW
3800131208156	96LEDP20678
3800131218179	96LEDP20678WW



• EN 55015 • EN 61000-3-2 • EN 61000-3-3 • EN 61547 • EN 13032-4 • 60598-1 • 60598-2-2 •

